

PORTACOOOL OWNER'S MANUAL

FOR PAC2K482S, PAC2K363S, PAC2K361S, PAC2K36HPVS, PAC2K24HPVS and PAC163SVT

PORTACOOOL™

WHEN COMFORT COUNTS™



TABLE OF CONTENTS

READ AND SAVE THESE INSTRUCTIONS

CONTENTS:

QUICK SETUP GUIDE.....	page 2	TROUBLESHOOTING	pages 12-13
PRODUCT OVERVIEW	pages 3-7	TECHNICAL SUPPORT AND WARRANTY	pages 14-15
SAFETY INFORMATION	page 8	EXPLODED VIEWS	pages 16-20
GENERAL OPERATION	pages 9-10	WIRING DIAGRAM	page 21
MAINTENANCE AND STORAGE	page 11	FREQUENTLY ASKED QUESTIONS.....	page 22



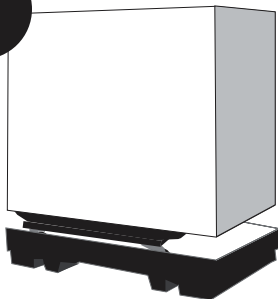
STOP

DO NOT RETURN!

For questions or comments, please call Portacool Customer Service at 936-598-5651.

QUICK SET UP

1



Remove box and pallet

2



Position product on level surface

3



Fill sump or attach water hose

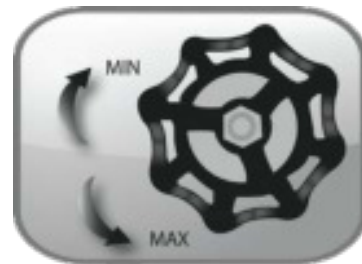
4



Plug into appropriate outlet

5

For setup, pads should appear wet before starting the fan. Check the water gauge to monitor water level in tank. The water flow valve on each unit is set at max flow. However, ensure the knob is turned completely to the left before use. Turn to the left to increase water flow. Less water is required for cooling in more humid environments.

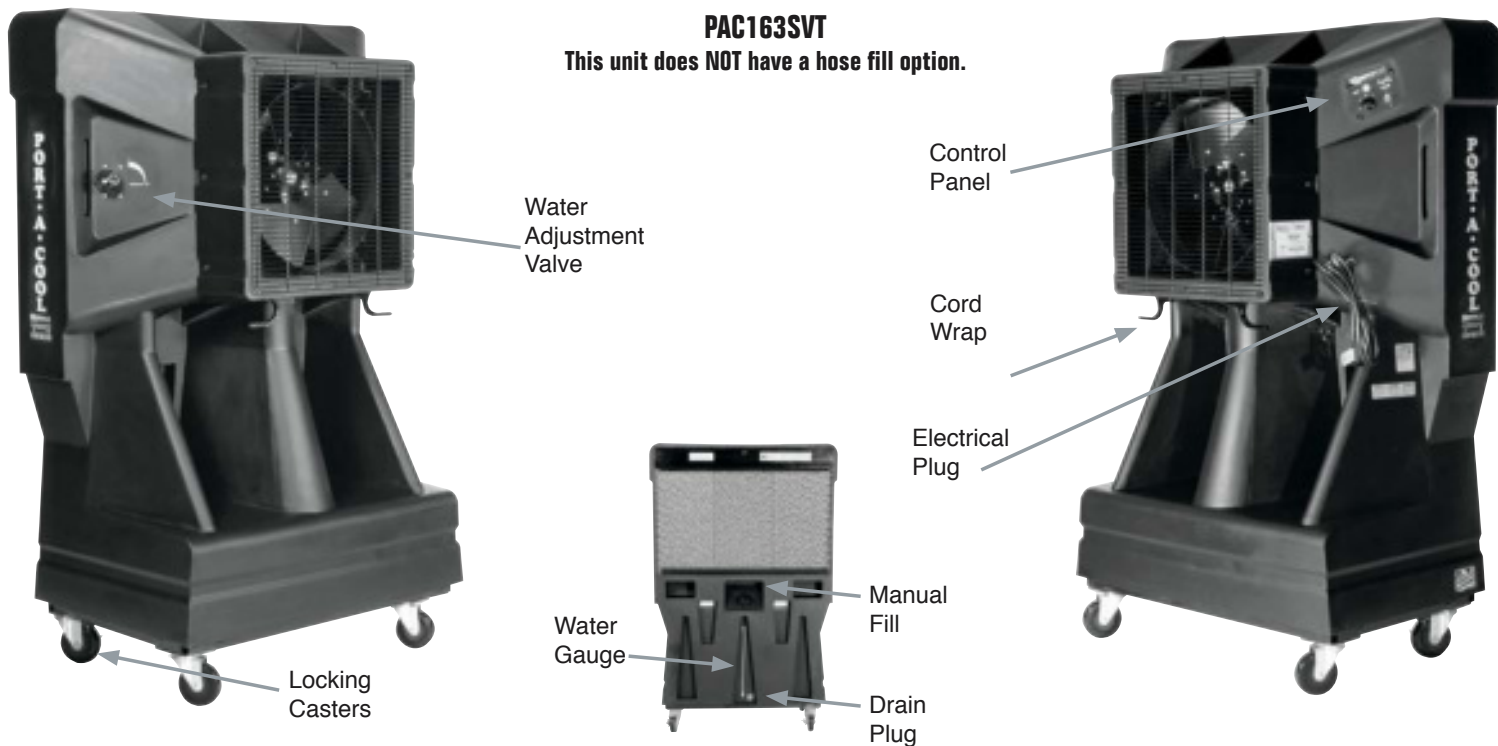


Fill the tank, then turn on the pump switch and the fan.

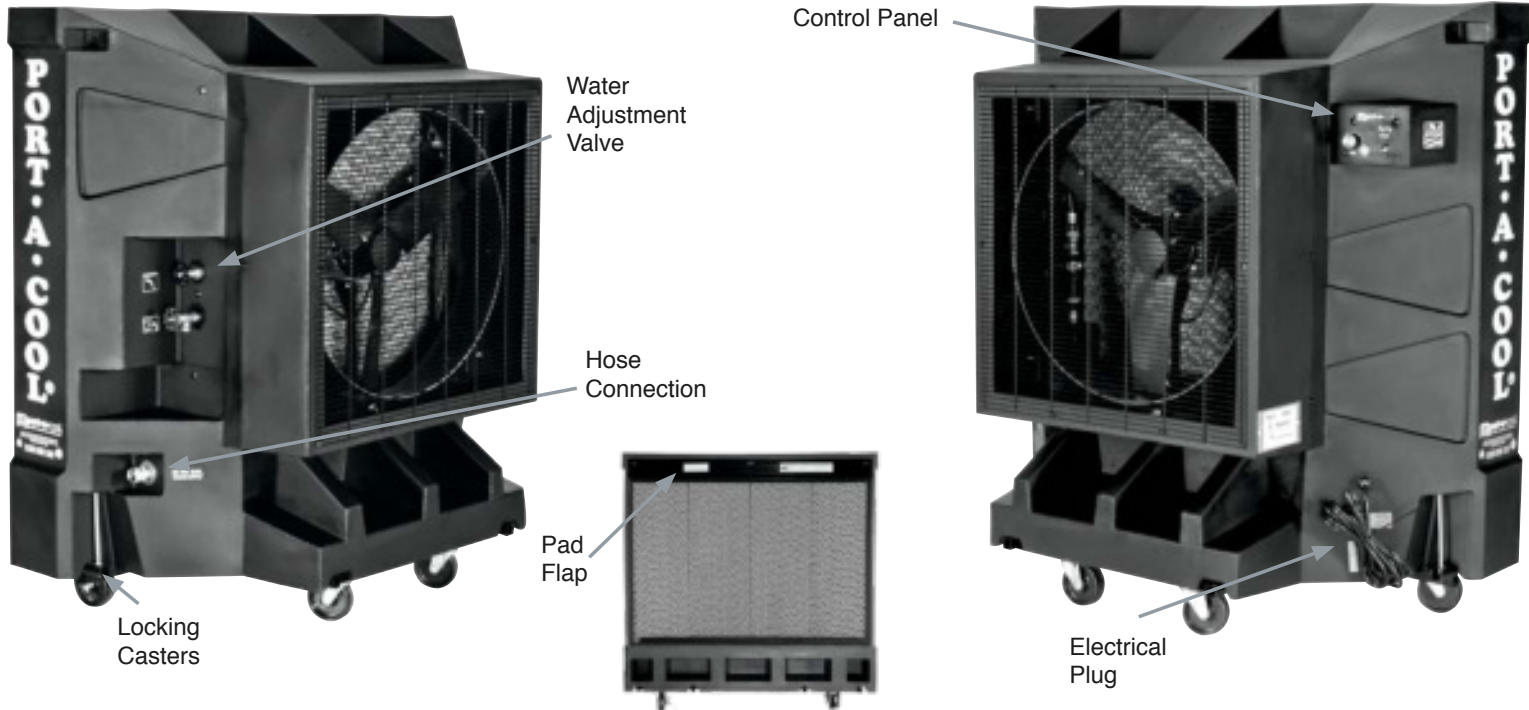
16" VERTICAL TANK OVERVIEW

PAC163SVT

This unit does NOT have a hose fill option.

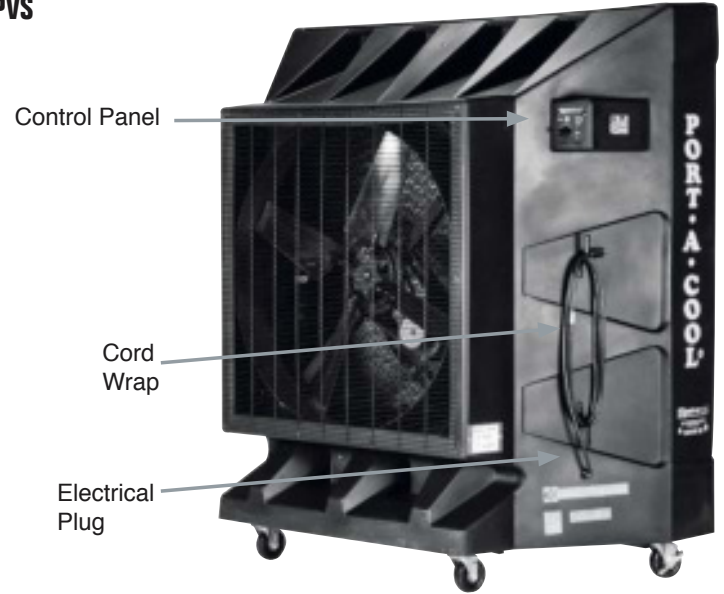


24" HP OVERVIEW



36" OVERVIEW

PAC2K36HPVS



48" OVERVIEW

PAC2K482S



Water
Adjustment
Valve

Hose
Connection

Locking
Casters



Control
Panel

Cord
Wrap

Electrical
Plug

SAFETY INFORMATION

OPERATION WARNINGS

- 1) Not intended for use by children
- 2) Not intended for use by persons with reduced physical, sensory, or mental capabilities
- 3) Not intended for use by persons with lack of experience and knowledge, unless they have been given instruction and are supervised during operation
- 4) Children should be supervised to ensure they do not play with the evaporative cooler

SAFE OPERATION

To reduce the risk of electric shock, fire, or injury:

- Do not operate any product with a damaged cord or plug. Discard product or return to place of purchase for examination and/or repair.
- Do not run cord under carpeting. Do not cover cord with throw rugs, runners, or similar coverings. Arrange cord away from traffic area so it will not be tripped over.
- Read instructions and labels carefully.
- Always unplug the electric cord to the Portacool evaporative cooler before performing inspections or repairs.
- Plug into three-prong grounded GFCI protected electrical receptacle only.
- Do not step on or roll over power cord with heavy or sharp objects.
- Do not operate evaporative cooler unless all pads are securely in place.
- Remove the plug from the electrical receptacle by pulling on the plug and not the cord.
- Test the GFCI receptacle or breaker monthly to ensure it is functioning properly.
- Do not operate near open containers of flammable liquids or gases.
- Ensure evaporative cooler pumps are running continuously to saturate and wet combustible media when used in close proximity to open flame or spark producing activities. A distance of at least 35 feet away from open flame or sparks is recommended to ensure safe operation.
- Never wash the evaporative cooler cabinet with a garden hose; water may harm the motor and electrical system.
- If the product is damaged or malfunctions, do not continue to operate it. Refer to the warranty, troubleshooting or FAQ section, call Portacool, LLC, Technical Support at 1-888-266-5243, or email support@portacool.com.

GENERAL OPERATION

Electrical Connection

PRODUCT MUST BE IN UPRIGHT POSITION WITH COOLING PADS INSTALLED!

All models utilize a single power cord and control switches. Before connecting the plug to an outlet, ensure there is no standing water where the cord may lie or where the operator is standing. The use of separate multiple outlet devices is not recommended. When making electrical connections, ensure compliance to local and national codes. Use only with GFCI Protected Receptacles. Please refer to the Barcode Product Label on the side of the product for specific electrical requirements.

OPERATING PROCEDURES

Specifications

Each Portacool evaporative cooler has its own set of operational specifications, sizes, weights, voltage frequency, current requirements, etc. Please ask for the specifications for your model from your distributor, check the serial number plate, or visit www.portacool.com for the specifications for your product.

Placement of the Portacool Evaporative Cooler

There are three primary considerations when deciding where to place the Portacool evaporative cooler.

- 1) Make sure there is a clear, unobstructed path to provide maximum airflow.
- 2) If the evaporative cooler is positioned on a raised platform, ensure the platform constructed for holding the product is stable, well constructed, and will not allow the product to tip over and that it allows for the full weight of the evaporative cooler including water in the tank. The product must be level and in the upright position.

3) If placed near a wall or other obstruction, position the product a minimum of 3 feet (0.9 meters) from the wall or obstruction with pads facing the wall. This allows the unrestricted flow of warm air to the cooling pad side of the product. When using multiple products in close proximity, be sure to aim the product so the air flows complement each other to achieve maximum cooling capacity.

Starting the Pump and Adjusting the Water Flow

Once the water tank is full, moving the pump switch to the “ON” position will turn on the pump. When initially turning on the pump, the level in the water tank will drop suddenly and restart the flow of supply water. This is a normal condition, as the cooling pads require a large amount of water for proper wetting.

When the Portacool evaporative cooler is new, the new pads will require an initial ‘breaking-in’ period. This period is required for the pads to begin readily absorbing water. It may require up to a week to achieve maximum efficiency.

It is important to ensure that the spray bar is properly adjusted when first starting the water flow in the Portacool evaporative cooler. Increasing the flow using the water flow valve (see Quick Setup on page 2) makes this adjustment. Proper water adjustment should leave the pads saturated with water, but not flooded. Pads should appear wet. However, cascading amounts of water can actually reduce cooling efficiency. Proper adjustment will prevent problems and increase cooling capacity. When properly adjusted, one or two dry streaks will appear across the pads.

When turning the evaporative cooler off at the end of the day or week, the pump should be turned off about 15 minutes before the fan to allow the cooling pads to dry. This will increase the life of the pads.

Starting the Portacool Evaporative Cooler

COOLING PADS MUST BE INSTALLED AND CASTER LOCKS MUST BE ENGAGED

Start the fan by turning the fan switch to the ‘ON’ position. Step slowly through the speeds allowing the fan to obtain its full speed at the LOW speed before going to HIGH.

MAINTENANCE & STORAGE

MAINTENANCE

- 1) Keep the product clean to ensure peak operating performance.
- 2) The rugged, corrosion-resistant construction ensures low maintenance will be required. However, in dusty or dirty environments, optional filters are available from your distributor or at www.portacoolparts.com.

Daily Maintenance

The pump should be turned off approximately **15 minutes** before the fan is turned off. This will allow the cooling pads to dry out and extend their life. This also helps control the growth of mildew, mold, bacteria, and other odor-causing elements.

Weekly Maintenance

The product should be shut down and the water tank should be drained once a week. Closing the water flow valve and removing the drain plug will accomplish this. Once the water tank is drained and the power disconnected, the pads may be removed to allow cleaning of the water tank. Dust may collect in the water tank over time. Replace pads in correct airflow direction, referring to the label on the pads.

Storage

- 1) Drain all water from the water tank and wipe clean, ensuring the pads and water tank are completely dry.
- 2) Roll up the electrical power cord and secure it to ensure it will not be rolled over, tripped over, or caught in equipment.
- 3) Cover the product completely to prevent dust build-up and store in a dry area. This also helps to prevent damage to the pads. Optional dust covers are available from your distributor or at www.portacoolparts.com.

TROUBLESHOOTING

The Portacool evaporative cooler consists of three systems — the fan system, the electrical system, and the water system. It is important to determine with which of the systems the problem is associated. Certain problems may be associated with more than one system. A careful check of all systems should be made to fully understand the extent of the problem.

CAUTION — DISCONNECT POWER BEFORE REMOVING COOLING PADS FROM THE PRODUCT!

NOTICE — POWER CORD MAY BE REPLACED ONLY BY THE MANUFACTURER OR QUALIFIED AGENT!

Repair and Replacement Procedures

Ensure all water is removed from the Portacool evaporative cooler and all power is disconnected. Remove all impediments to access the component you are checking or replacing.

REPLACING THE COOLING MEDIA PADS

The flap must be removed to allow access to the cooling pads. Start with the center pad, which can be tilted out from the top and lifted out of the drain trough. The two pads to either side of the center pad may then be removed in the same manner. To remove the two outside pads, they must first be pulled sideways toward the center of the Portacool evaporative cooler until they clear the side retainer before removing in the same manner as the other pads.

- 1) Locate the screw in the rear of the unit on the upper right side of the pad flap.
- 2) Remove screw and lower pad flap to vertical position.
- 3) Once the pad flap is moved, grasp the middle pad and tilt out at a 90 degree angle.
- 4) Pull the pad up to remove from unit. Repeat for other pads.

The following troubleshooting guide is intended to address the most common symptoms which may occur. If you are unable to resolve the issue, please call Technical Support. Turn off all power to the evaporative cooler before attempting to troubleshoot any of the following symptoms.

SYMPTOM	POSSIBLE CAUSES	REMEDY
Product fails to start or deliver air	<ol style="list-style-type: none">1. No electrical power to product<ol style="list-style-type: none">A. Circuit breaker trippedB. GFCI trippedC. Cord(s) unplugged or damaged2. Motor overheated and/or frozen	<ol style="list-style-type: none">1. Check power<ol style="list-style-type: none">A. Reset breaker*B. Reset GFCI*C. Plug in cord(s) or replace if damaged* If condition persists, call electrician2. Replace motor
Product starts but air delivery inadequate	<ol style="list-style-type: none">1. Insufficient air exhaust2. Insufficient water – pad not wet<ol style="list-style-type: none">A. Cooling pads pluggedB. Dry streaks on padsC. Large dry spots on padsD. Pump not workingE. Loose water connections	<ol style="list-style-type: none">1. Open windows or doors2. Check water distribution system<ol style="list-style-type: none">A. Clean or replace padsB. Check water levelC. Make sure cooler is level, clean spray barD. Clean or replace pumpE. Check for leaks and correct
Water draining from cooler	<ol style="list-style-type: none">1. Seat in float valve leaking2. Drain bushing/cap not tight	<ol style="list-style-type: none">1. Replace float valve2. Tighten fitting and/or cap
Musty or unpleasant odor	<ol style="list-style-type: none">1. Stale or stagnant water in sump2. Pads mildewed or clogged3. Pads not completely wet before cooler is turned on	<ol style="list-style-type: none">1. Drain, flush and clean sump2. Replace pads3. Turn on pump before starting fan
Knocking, shaking, or rattling sounds	<ol style="list-style-type: none">1. Loose parts2. Fan blade rubbing shroud	<ol style="list-style-type: none">1. Check and tighten where needed2. Inspect and adjust, or replace
Water droplets in the discharge air stream	<ol style="list-style-type: none">1. Too much water delivered to the cooling pads2. Outdoor humidity level is too high or it is raining3. Leaking hose	<ol style="list-style-type: none">1. Make sure pads are properly positioned in the frames and product is level2. Use cooler as a fan only (turn pump off) or discontinue use of product until outdoor humidity level drops.3. Tighten connection or replace hose

TECHNICAL SUPPORT

TECHNICAL SUPPORT

Technical support and service is available directly from your distributor or call Portacool, LLC Technical Support Hot Line at 888-266-5243 for the distributor nearest you. You may also contact the Support Hot Line for consultation on troubleshooting and parts replacement.

Please have serial number and model number of product available.

WARRANTY AND REPLACEMENT PARTS

PORTACOOOL® Evaporative Cooler Limited Warranty

For one (1) year from date of purchase, Portacool, LLC (hereafter "Portacool") warrants any original component part or parts of its Portacool™ portable evaporative coolers (the "Equipment") that are found, upon examination by factory-authorized personnel, to be defective in material or workmanship, excepting, however, that the following component motors shall be warranted by Portacool for a period of three (3) years from the date of purchase: MOTOR-013-04, MOTOR-010-07, MOTOR-012-06, MOTOR-012-05 and MOTOR-034-01.

All transportation charges for shipment of the Equipment and/or its component parts that are submitted for replacement or repair under this warranty must be borne by the purchaser.

If the Equipment and/or its original component parts develop a defect covered by this limited warranty within the applicable time periods described above, the same will be repaired or replaced at Portacool's option. In the case of a breach of any implied or written warranty relating to the Equipment and/or its component parts, Portacool shall not be liable for any incidental or consequential damages, and the limits of liability against Portacool for any such breach shall not exceed the cost of replacement or repair of the Equipment.

This warranty is void if the Equipment and/or its component parts are found to have been misused, abused, repaired by or tampered with by unauthorized or unqualified personnel.

RETURNS

Returned Merchandise Authorization (RMA) Procedures

All Portacool evaporative coolers, parts, or materials being returned to Portacool, LLC for warranty replacement or repair require an RMA (Return Merchandise Authorization) number.

Warranty parts can be replaced by:

1. The distributor can purchase the part with an RMA number and will only be charged for the cost of the part, not for the shipping. When the defective part is returned freight paid, the distributor's account will be credited for the cost of the part.
2. The defective part need to be returned to Portacool, LLC, labeled with the RMA number within 90 days of receipt of replacement parts.
3. The customer / distributor can call Tech Support to get an RMA number to send the defective part back to Portacool, LLC. Once the part is received by Portacool, a replacement part will be sent at no charge.

Information needed to get an RMA number:

1. The product serial number or manufacturer date code
2. The product model number (ex. PAC2K363S)
3. The part number or description of the part to be replaced

Only major component parts need an RMA number, i.e. fans, motors, pumps, and some plumbing parts. For replacement of small parts, the serial and model numbers are still required, but the parts do not need to be returned to Portacool, LLC.

For warranty replacement parts call Portacool® Technical Support at 1-888-266-5243. FAX: 936-598-1431.

Shipping Address
Portacool, LLC
721 FM 2468
Center, Texas 75935

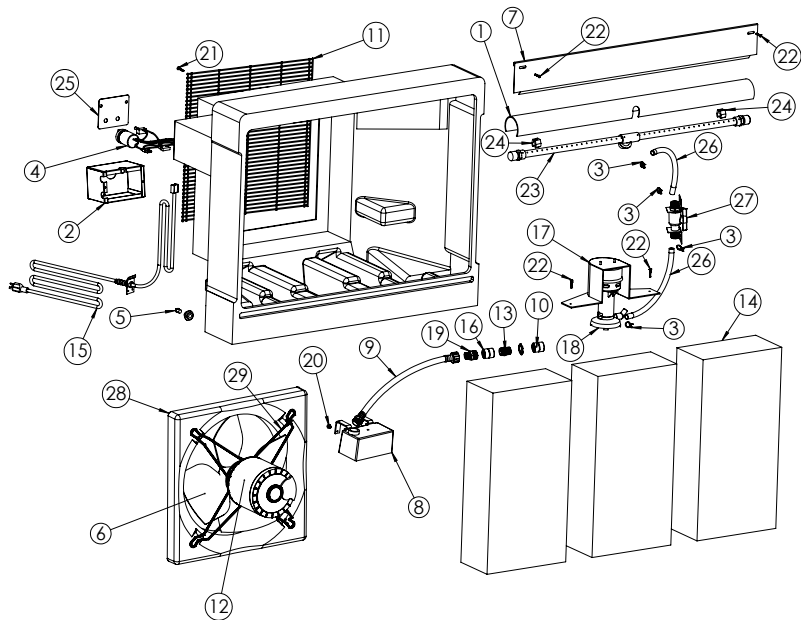
Mailing Address:
Portacool, LLC
P.O. Box 2167
Center, Texas 75935

To expedite your request, please submit the RMA form found on our website at info.portacool.com/returnshold

16" VERTICAL TANK PARTS

PAC2K163SHD

REVISED 02/12/15



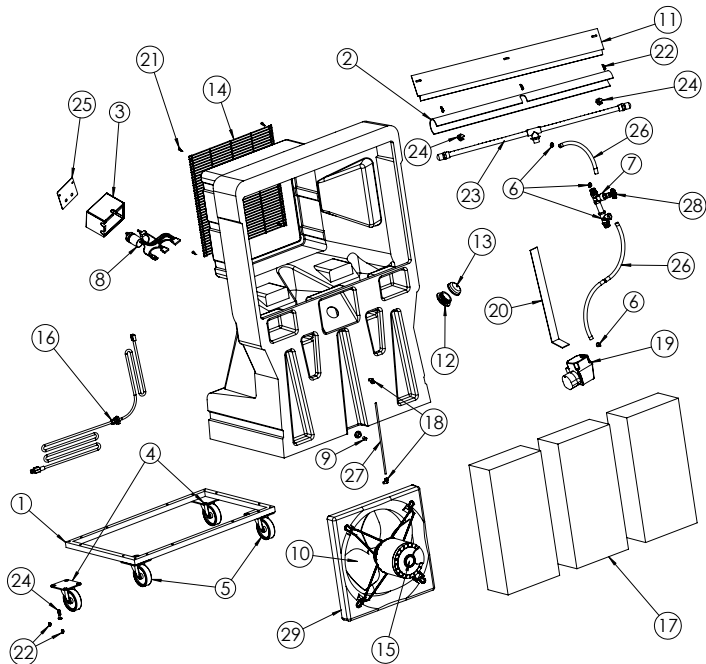
#	PART #	DESCRIPTION	#	PART #	DESCRIPTION
1	BONNET-03	SPRAY BAR BONNET	16	PRES-REG-01	WATER PRESSURE REGULATOR
2	BOX-UL-01	3 SPD ELECTRICAL BOX	17	PUMP BRACKET	PLASTIC PUMP COVER / BRACKET
3	CLAMP-01	1/2" CLAMP FOR PLASTIC TUBE	18	PUMP-0150-1	PUMP 1/70HP W/NETTING
4	CTRL-3SPD-02	3-SPD HARNESS W/SALZER SWITCH	19	PVC-ADP-01	3/4 X 1/2 ADAPTER
5	DRAIN-PLUG-01	DRAIN PLUG 16 PAC	20	S-004	1/4-20 X 1 1/2" BOLT FOR FLOAT
6	FAN-ASSM-15	16" VT FAN BLADE	21	S-006	#12 X 1 1/4" TEK SCREW
7	FLAP-16-01	FRONT FLAP FOR 16"	22	S-008	10-24 X 3/4" TRUSS HEAD SCREW
8	FLOAT-02	FLOAT VALVE	23	SPRAY-07	SPRAY BAR FOR 16" PAC
9	HOSE-FM18	1/2" X 18" F/M HOSE	24	SPRAY-ACC-04	CLAMP FASTENER 1029
10	HOSE-FTG-05	FEM/FEM 3/4" BRASS SWIVEL	25	SWITCHPL-REV3SP	SWITCH CVR PLATE REVERSE 3SPD
11	MESH-PAC-05	FAN SCREEN	26	TUBE-01	1/2" PLASTIC TUBE (PER FOOT)
12	MOTOR-012-04E	16" HD, FC, VT 3 SPD MOTOR	27	VALVE-01	1/2" GATE VALVE
13	PAC-PLB-01	BRASS INLET FITTING	28	VENT16-INJ-01	INJECTION MOLDED VENTURI
14	PAD6024/G	PAD FOR 16" UNIT (3 per unit)	29	VENTURI-MNT-01	N/S H/D MOTOR MOUNT FRAME
15	POWERCORD-01F	16' POWER CORD W/STRAIN RELIEF			

220/50 and 220/60 models require additional parts. Please contact Customer Service for assistance

16" VERTICAL TANK PARTS

PAC163SVT

REVISED 02/17/2015



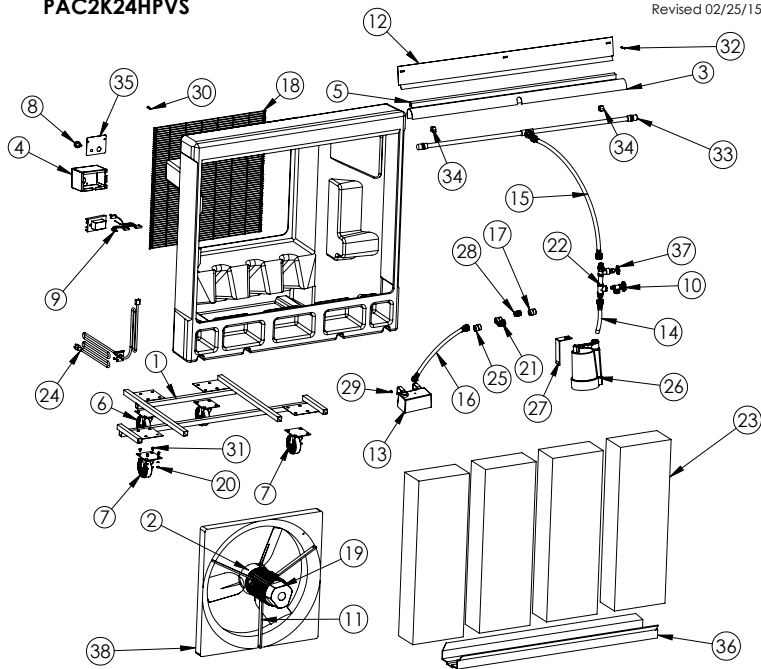
#	PART #	DESCRIPTION	#	PART #	DESCRIPTION
1	BASE-JS/VT	CASTER BASE ASSEMBLY FOR JS/VT	16	POWERCORD-03F	10FT POWER CORD W/STRAIN RELIEF/ NUT/WASHER
2	BONNET-03	SPRAY BAR BONNET FOR 16" PAC	17	PAD6024/G	16" PAC REPLACEMENT PAD
3	BOX-UL-01	3SPD ELECTRICAL BOX	18	POLY-FT6-06	90DEG FITTING FOR SIGHT TUBE
4	CASTERS-HD-4	4" JS/VT HEAVY DUTY NON-LOCKING CASTER	19	PUMP-0140-1	PUMP ASSEMBLY FOR 16" UNIT
5	CASTERS-HD-4L	4" JS/VT HEAVY DUTY LOCKING CASTER	20	PUMP-ACC-17	JS/VS PUMP BRACKET
6	CLAMP-01	1/2" WIRE SPRING CLAMP	21	S-006	12-14 BLACK TEC SCREW
7	CTRL-VLV-BRKT-1	CONTROL VALVE MOUNTING BRACKET	22	S-009	10-24 X 3/4" TRUSS HEAD SCREW
8	CTRL-3SPD-02	3SPD SWITCH HARNESS	23	SPRAY-07	SPRAY BAR FOR 16" PAC
9	DRAIN-PLUG-34	1/4" NPT PLUG #P-28 FOR 16"UNIT	24	SPRAY-ACC-04	CLAMP FASTENER FOR SPRAY BAR
10	FAN-ASSM-15	16" VT FAN BLADE	25	SWITCHPL-REV3SP	3SPD SWITCH COVER PLATE
11	FLAP-16-01	FRONT FLAP FOR 16" JETSTREAM	26	TUBE-01	SOFT PLASTIC TUBE
12	JS-ACC-01	2" THREADED FILLER CAP RING	27	TUBE-03	SIGHT TUBE
13	JS-ACC-02	2" THREADED FILLER CAP	28	VALVE-01	PUMP TO SPRAYBAR CONTROL VALVE
14	MESH-PAC-05	FAN GUARD SCREEN FOR 16" UNITS	29	VENT16-INJ-01	VENTURI FOR 16" FAN
15	MOTOR-012-04E	16" HD, FC,VT 3SPD MOTOR			

220/50 and 220/60 models require additional parts. Please contact Customer Service for assistance

24" HIGH PERFORMANCE PARTS

PAC2K24HPVS

Revised 02/25/15



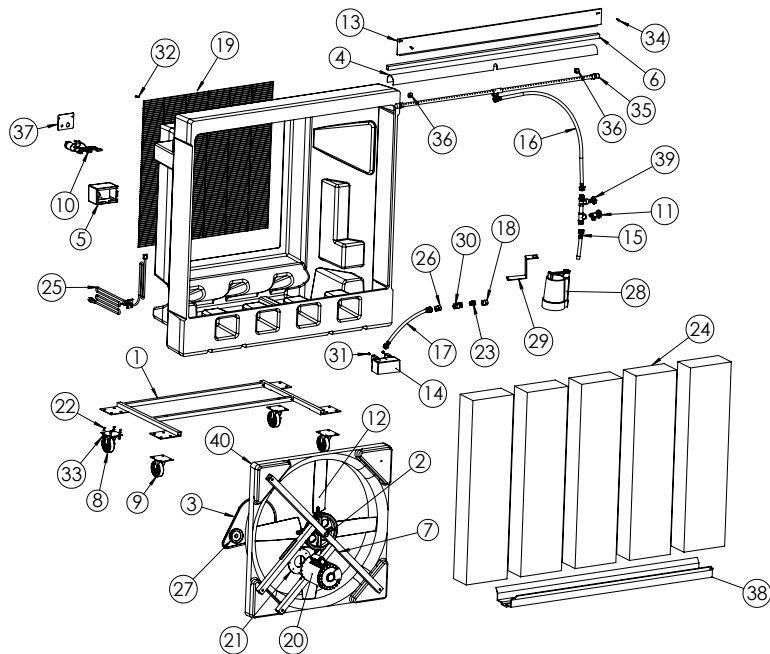
#	PART #	DESCRIPTION	#	PART #	DESCRIPTION
1	BASE-2K24	CADDY	20	LOCKNUT-FNG-516	5/16-18 FLANGE NYLON INSERT LOCK NUT
2	BLADE-ASSM-02	VOSTERMAN 24" FAN BLADE ASSY. (33deg.)	21	PAC-PLB-01	BRASS INLET FITTING
3	BONNET-02	SPRAY BAR BONNET FOR 24" PAC	22	PAC-PLB-02	BLACK PLUMBING ASSEMBLY
4	BOX-UL-03	VARIABLE SPEED ELECTRICAL BOX	23	PAD6036/6	PAD FOR 24" PAC (4 per unit)
5	BRACE-24-01	BONNET STEEL BAR	24	POWERCORD-01F	16' POWER CORD ASSEMBLY
6	CASTERS-HD-4	SWIVEL CASTER	25	PRES-REG-01	WATER PRESSURE REGULATOR
7	CASTERS-HD-4L	LOCKING SWIVEL CASTER	26	PUMP-016-4Z	SUBMERSIBLE 1/6 HP PUMP
8	CTRL-KNOB-02	D-SHAFT KNOB FOR CONTROL SWITCH	27	PUMP-ACC-15	PUMP BRACKET- 1/6 HP PUMP 24" PAC
9	CRTL-VS-02	SWITCH SET FOR 24" HPVS UNIT	28	PVC-ADP-01	3/4" X 1/2" REDUCING ADAPTER
10	DRAIN-01	1/2" BOILER DRAIN	29	S-004	1/4-20 X 1/2" BOLT FOR FLOAT
11	FAN24HP-MNT-01	MOTOR MOUNT ARM FOR 24" HPVS UNIT	30	S-006	#12 X 1 1/4" TEK SCREW
12	FLAP-24-01	FRONT FLAP FOR 24" PAC	31	S-007	5/16" TRUSS HEAD SCREW FOR CASTER
13	FLOAT-02	FLOAT VALVE	32	S-009	10-24 X 3/4" TRUSS HEAD SCREW
14	HOSE-FF30	1/2" X 30" FEM/FEM HOSE TO PLB TO PUMP	33	SPRAY-04	SPRAY BAR FOR 24" PAC
15	HOSE-FF37	1/2" X 37" FEM/FEM HOSE TO SPRAYBAR TO PLB	34	SPRAY-ACC-04	CLAMP FASTENER 1029
16	HOSE-FM22	1/2" X 22" MALE/FEMALE HOSE TO FLOAT	35	SWITCHPL-VSPD-T	SWITCH PLATE FOR HP UNIT
17	HOSE-FTG-05	FEM/FEM 3/4" X 3/4" BRASS SWIVEL	36	TROUGH-02	PAD TROUGH FOR 24" PAC
18	MESH-PAC-03	FAN SCREEN FOR 24" PAC	37	VALVE-01	1/2" GATE VALVE
19	MOTOR-012-06	1/3 HP DIRECT DRIVE VOSTERMAN MOTOR	38	VENTURI-24-02	PLASTIC VENTURI FOR 24"HPVS UNIT

220/50 and 220/60 models require additional parts. Please contact Customer Service for assistance

36" SINGLE-SPEED PARTS

PAC2K361S

Revised 02/25/15

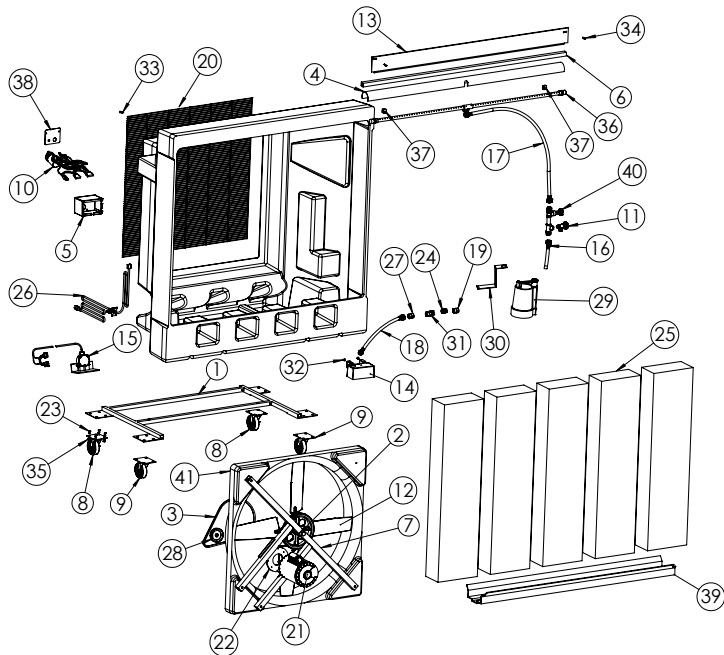


#	PART #	DESCRIPTION	#	PART #	DESCRIPTION
1	BASE-ZK36	CADDY	21	MOTOR-MNT-01	MOUNT FOR 36" MOTOR
2	BEARING-FAN-01	BEARING FOR 24" & 36" PAC	22	N-516-NYLOK	5/16" NYLOK NUT FOR CASTERS
3	BELT2K-38-01	A-38 FAN BELT	23	PAC-PLB-01	BRASS INLET FITTING
4	BONNET-01	SPRAY BAR BONNET	24	PAD6048/G	PAD FOR 36" PAC (5 per unit)
5	BOX-UL-02	1 SPD ELECTRICAL BOX	25	POWERCORD-01F	POWER CORD ASSEMBLY
6	BRACE-36-02	BONNET BRACE	26	PRES-REG-01	WATER PRESSURE REGULATOR
7	BRACE-36-03	36" PULTRUSION ASSEMBLY	27	PULLEY-3.75	3.75 O.D. PULLEY
8	CASTERS-HD-4	HEAVY DUTY CASTER	28	PUMP-016-42	L/G 1/6HP SUBMERSIBLE PUMP
9	CASTERS-HD-4L	HEAVY DUTY LOCKING CASTER	29	PUMP-ACC-13	SUBMERSIBLE PUMP BRACE
10	CTRL-1SPD-01	1 SPEED SWITCH SET	30	PVC-ADP-01	3/4" X 1/2" REDUCING ADAPTER
11	DRAIN-01	1/2" BOILER DRAIN VALVE	31	S-004	1/4-20 X 1/2" BOLT FOR FLOAT
12	FAN-ASSM-01	PLASTIC BLADE & HUB ASSEMBLY FOR 36" PAC	32	S-006	#12 X 1 1/4" TEK SCREW
13	FLAP-36-01	FRONT FLAP FOR 36"	33	S-007	5/16-18 TRUSS HEAD SCREW
14	FLOAT-02	FLOAT VALVE	34	S-009	10-24 X 3/4" TRUSS HEAD SCREW
15	HOSE-FF24	1/2" X 24" FEM/FEM HOSE PUMP TO PLB	35	SPRAY-06	SPRAY BAR FOR 36" PAC
16	HOSE-FF50	1/2" X 50" FEM/FEM HOSE PLB TO SPRAYBAR	36	SPRAY-ACL-04	CLAMP FASTENER 1029
17	HOSE-FM30	1/2" X 30" FEM/MALE HOSE INLET TO FLOAT	37	SWITCHPL-1SPD	SWITCH COVER PLATE
18	HOSE-FTG-05	FEM/FEM 3/4" BRASS SWIVEL	38	TROUGH-01	PAD TROUGH FOR 36" PAC
19	MESH-PAC-02	FAN SCREEN	39	VALVE-01	1/2" GATE VALVE
20	MOTOR-012-01STA	1SPD STUD MOUNT MOTOR (PRODUCED W/9K922B)	40	VENTURI-36-01	36" RTM FAN VENTURI

36" THREE-SPEED PARTS

PAC2K363S

Revised 02/25/15



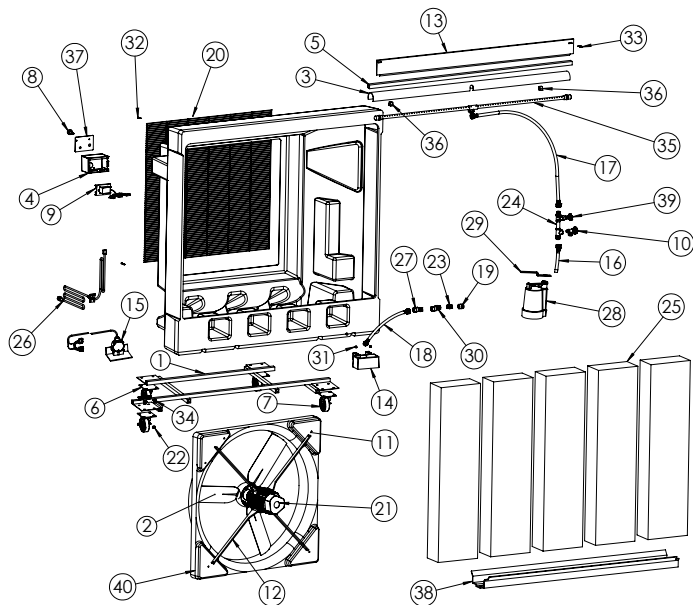
#	PART #	DESCRIPTION	#	PART #	DESCRIPTION
1	BASE-2K36	CADDY	22	MOTOR-MNT-01	MOUNT FOR 36" MOTOR
2	BEARING-FAN-01	BEARING FOR 24"/36" FAN BLADE ASSEMBLY	23	N-516-NYLOK	5/16" NYLOCK NUT FOR CASTERS
3	BELT2K-38-01	A-38 FAN BELT	24	PAC-PLB-01	BRASS INLET FITTING
4	BONNET-01	SPRAY BAR BONNET	25	PAD6048/G	PAD FOR 36" PAC (5 per unit)
5	BOX-UL-04	3 SPD ELECTRICAL BOX	26	POWERCORD-01F	16' ELECTRICAL CORD
6	BRACE-36-02	BONNET BRACE	27	PRES-REG-01	WATER PRESSURE REGULATOR
7	BRACE-36-03	36" PULTRUSION ASSEMBLY	28	PULLEY-3.75	3.75 O.D. PULLEY
8	CASTERS-HD-4	HEAVY DUTY SWIVEL CASTER	29	PUMP-016-4Z	1/6 HP SUBMERSIBLE PUMP FOR 36" PAC
9	CASTERS-HD-4L	HEAVY DUTY LOCKING SWIVEL CASTER	30	PUMP-ACC-13	PUMP BRACE
10	CTRL-3SPD-02	3 SPEED SALZER SWITCH SET	31	PVC-ADP-01	3/4"X1/2" REDUCING ADAPTER
11	DRAIN-01	1/2" BOILER DRAIN VALVE	32	S-004	1/4-20 X 1/2" BOLT FOR FLOAT
12	FAN-ASSM-01	PLASTIC BLADE & HUB ASSEMBLY	33	S-006	#12 X 1 1/4" TEK SCREW
13	FLAP-36-01	FRONT FLAP FOR 36"	34	S-007	5/16-18 TRUSS HEAD SCREW
14	FLOAT-02	FLOAT VALVE	35	S-009	10-24 X 3/4" TRUSS HEAD SCREW
15	FLOATSWITCH-01	WATER PUMP SHUT OFF SWITCH	36	SPRAY-06	SPRAY BAR FOR 36" PAC
16	HOSE-FF24	1/2" X 24" FEM/FEM HOSE PLB TO PUMP	37	SPRAY-ACC-04	CLAMP FASTENER 1029
17	HOSE-FF50	1/2" X 50" FEM/FEM HOSE SPRAY BAR TO PLB	38	SWITCHPL-3SPD	SWITCH COVER PLATE - 3SPD
18	HOSE-FM30	1/2" X 30" MALE/FEM HOSE INLET TO FLOAT	39	TROUGH-01	PAD TROUGH FOR 36" PAC
19	HOSE-FTG-07	FEM/FEM 3/4" BRASS SWIVEL	40	VALVE-01	1/2" GATE VALVE
20	MESH-PAC-02	FAN SCREEN	41	VENTURI-36-01	36" FAN VENTURI
21	MOTOR-012-02STA	3 SPD MOTOR			

220/50 and 220/60 models require additional parts. Please contact Customer Service for assistance

36" VARIABLE SPEED PARTS

PAC2K36HPVS

Revised 02/25/15

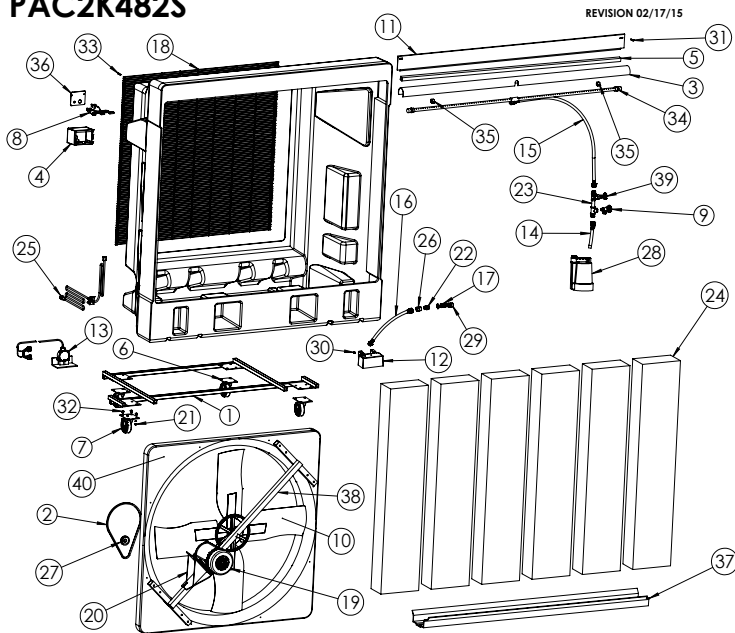


ITEM #	PART #	DESCRIPTION	ITEM #	PART #	DESCRIPTION
1	BASE-2K36	CADDY	21	MOTOR-012-05	1/2 HP DIRECT DRIVE VOSTERMAN MOTOR
2	BLADE-ASSM-01	VOSTERMAN 36" FAN BLADE ASSEMBLY	22	N-516-NYLOK	5/16-18 NYLOK NUT
3	BONNET-01	SPRAY BAR BONNET FOR 36" PAC	23	PAC-PLB-01	BRASS INLET FITTING
4	BOX-UL-06	VARIABLE SPEED ELECTRICAL BOX	24	PAD6048/G	PAD FOR 36" PAC (5 per unit)
5	BRACE-36-02	BONNET BRACE	25	POWERCORD-01F	ELECTRICAL CORD FOR PAC
6	CASTERS-HD-4	HEAVY DUTYSWIVEL CASTER	26	PRES-REG-01	WATER PRESSURE REGULATOR
7	CASTERS-HD-4L	HEAVY DUTY LOCKING SWIVEL CASTER	27	PUMP-016-4Z	SUBMERSIBLE 1/6 HP PUMP
8	CTRL-KNOB-01	LONG EXT. KNOB FOR CONTROL SWITCH	28	PUMP-ACC-13	PUMP BRACKET- 1/6 HP PUMP
9	CTRL-VS-01	VAR. SPD. SWITCH SET FOR 36" HPVS	29	PVC-ADP-01	3/4" X 1/2" REDUCING ADAPTER
10	DRAIN-01	1/2" BOILER DRAIN	30	S-004	1/4-20 X 1/2" BOLT FOR FLOAT
11	FANHP-BOOTS	BOOTS FOR 36" MTR CONNECTS TO ARMS	31	S-006	#12 X 1 1/4" TEK SCREW
12	FAN36HP-MNT-01	PI-CO 3VP1006 MOTOR SUPPORT ARM-36" PAC	32	S-007	5/16-18 TRUSS HEAD SCREW
13	FLAP-36-01	FRONT FLAP FOR 36" PAC	33	S-009	10-24 X 3/4" TRUSS HEAD SCREW
14	FLOAT-02	FLOAT VALVE	34	SPRAY-06	SPRAY BAR FOR 36" PAC
15	FLOATSWITCH-01	WATER PUMP SHUT OFF SWITCH	35	SPRAY-ACC-04	CLAMP FASTENER 1029
16	HOSE-FF24	FEM/FEM HOSE 24" LONG	36	SWITCHPL-VSPD-T	SWITCH COVER PLATE VAR. SPD.
17	HOSE-FF50	FEM/FEM HOSE 50" LONG	37	TROUGH-01	PAD TROUGH FOR 36" PAC
18	HOSE-FM30	FEM/MALE HOSE 30" LONG	38	VALVE-01	1/2" GATE VALVE
19	HOSE-FTG-07	FEM/FEM 3/4" BRASS SWIVEL	39	VENTURI-36-01	36" FAN VENTURI
20	MESH-PAC-02	FAN SCREEN FOR 36" PAC			

220/50 and 220/60 models require additional parts. Please contact Customer Service for assistance

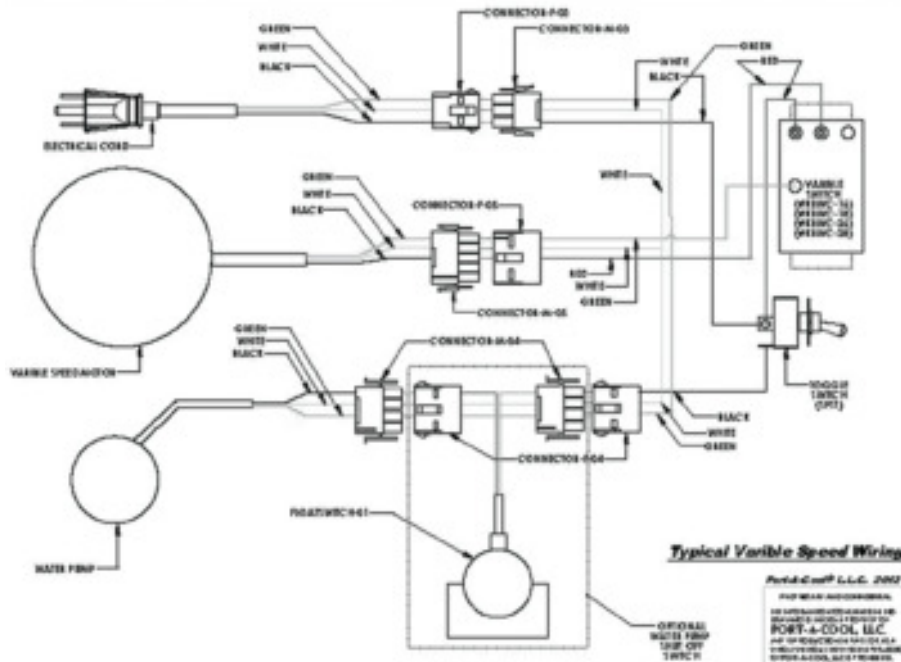
48" TWO-SPEED PARTS

PAC2K482S

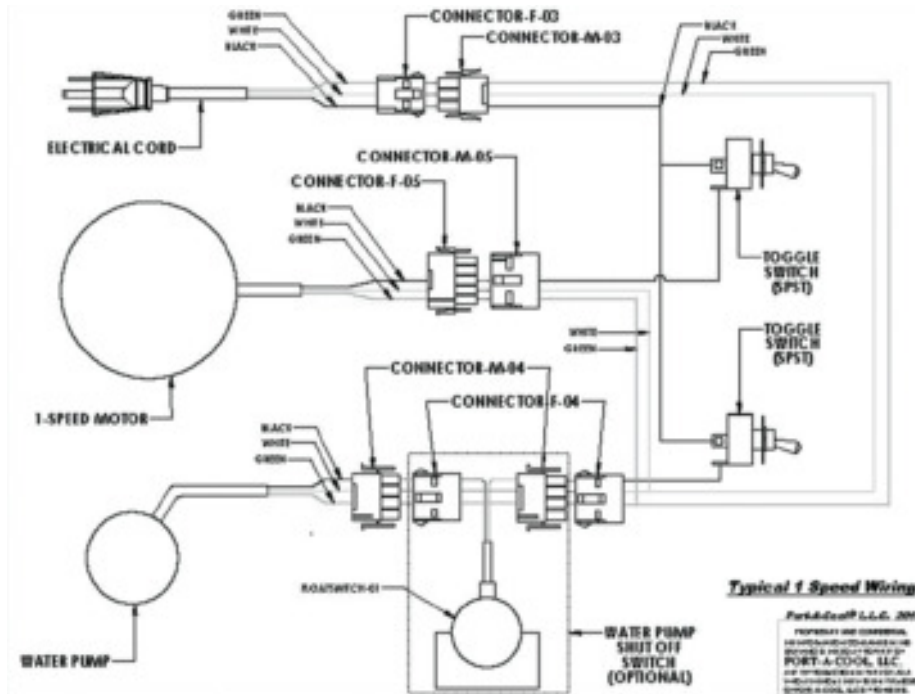


#	PART #	DESCRIPTION	#	PART #	DESCRIPTION
1	BASE-2K48	CADDY	21	N-516-NYLOK	5/16-18 NYLOK NUT FOR CASTERS
2	BELT2K-45-01	A-45 FAN BELT	22	PAC-PLB-01	BRASS INLET FITTING
3	BONNET-04	SPRAY BAR BONNET	23	PAC-PLB-02	BLACK PLUMBING ASSEMBLY
4	BOX-UL-02	2 SPD ELECTRICAL BOX	24	PAD6080/G	PAD FOR 48" PAC (6 per unit)
5	BRACE-48-03	BRACE FOR BONNET	25	POWERCORD-01F	ELECTRICAL POWER CORD
6	CASTERS-8	8" CASTERS	26	PRES-REG-01	WATER PRESSURE REGULATOR
7	CASTERS-8L	8" LOCKING CASTERS	27	PULLEY-3.25	3.25 MOTOR PULLEY
8	CTRL-2SPD-01	2 SPEED SWITCH SET	28	PUMP-016-4Z	L/G 1/6HP SUBMERSIBLE PUMP
9	DRAIN-01	1/2" BOILER DRAIN VALVE	29	PVC-ADP-01	3/4" X 1/2" ADAPTER
10	FAN-ASSM-05	FAN BLADE ASSEMBLY FOR 48" UNIT	30	S-004	1/4-20 X 1/2" BOLT FOR FLOAT
11	FLAP-48-01	FRONT FLAP FOR 48" PAC	31	S-006	#12 X 1 1/4" TEK SCREW
12	FLOAT-02	FLOAT VALVE	32	S-007	5/16-18 TRUSS HEAD SCREW FOR CASTERS
13	FLOATSWITCH-01	WATER PUMP SHUT OFF SWITCH	33	S-009	10-24 X 3/4" TRUSS HEAD SCREW
14	HOSE-FF37	1/2" X 37" FEM/FEM HOSE PLB TO PUMP	34	SPRAY-08	SPRAY BAR FOR 48" PAC
15	HOSE-FF68	1/2" X 68" FEM/FEM HOSE SPRAY BAR TO PLB	35	SPRAY-ACC-04	CLAMP FASTENER 1029
16	HOSE-FM25	1/2" X 25" MALE/FEM HOSE INLET TO FLOAT	36	SWITCHPL-2SPD	2SPD SWITCH COVER PLATE
17	HOSE-FTG-05	FEM/FEM 3/4" X 3/4" SWIVEL	37	TROUGH-03	PAD TROUGH FOR 48" PAC
18	MESH-PAC-06	FAN SCREEN	38	UPRIGHTS-48	UPRIGHT FOR 48" UNIT
19	MOTOR-010-01	1HP/2SPD MOTOR FOR 48" UNIT	39	VALVE-01	1/2" GATE VALVE
20	MOTOR-MNT-48	MOTOR MOUNT FOR 48" UNIT	40	VENTURI-48-02	VENTURI FOR 48" PAC FAN ASSEMBLY

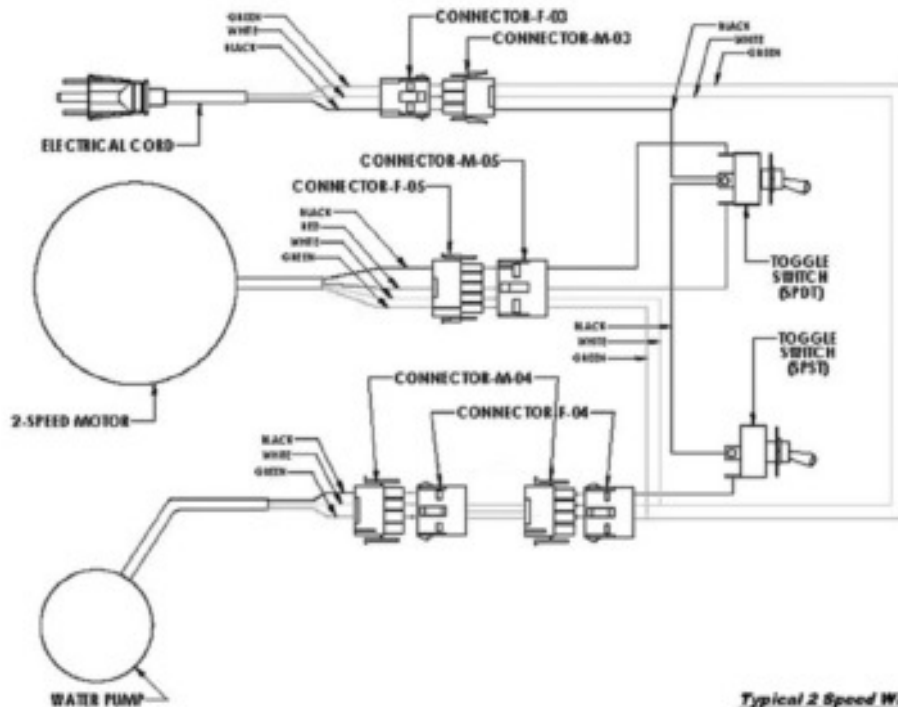
VARIABLE SPD WIRING DIAGRAM



ONE-SPEED WIRING DIAGRAM

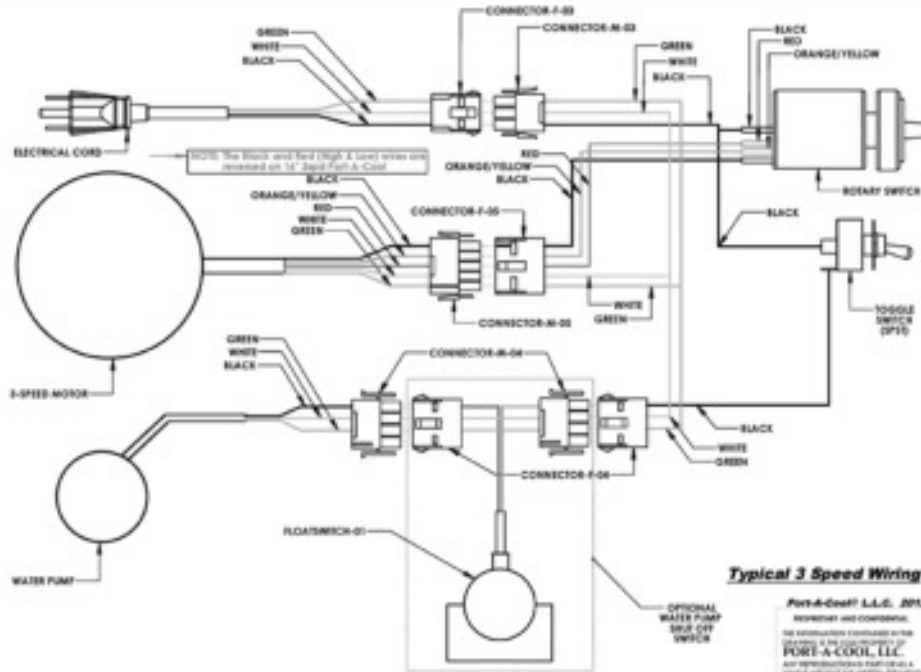


TWO-SPEED WIRING DIAGRAM



Typical 2 Speed Wiring

THREE-SPEED WIRING DIAGRAM



FREQUENTLY ASKED QUESTIONS

Q. WHAT ASSEMBLY IS REQUIRED?

A. None. Portacool evaporative coolers are ready to use right out of the box.

Q. HOW DO I PREPARE MY PORTACOOOL PRODUCT FOR STORAGE?

A. Drain the product, dry out the pads, cover the product, and store in a dry place.

Q. I JUST RAN THE EVAPORATIVE COOLER FOR THE FIRST TIME AND THERE'S AN UNPLEASANT ODOR!

A. The pads, located in the back of your Portacool product, have never been wet before. The resin in the pads will emit an odor the first time you wet them that lasts approximately one to three weeks. Keep the product in an open area until the odor goes away or put a capful of laundry softener directly in the tank in the bottom of your product. After approximately two weeks of operation, the odor should disappear.

Q. MY PORTACOOOL PRODUCT ISN'T PUTTING OUT ANY COOL AIR.

A. First, make sure the water source and electricity source are connected and working. Second, check to see if the pads are damp. If not, adjust the water flow with the water adjustment valve. Third, make sure there is water in the tank. It should be allowed to fill before you turn the pump on.

Q. WHAT IS THE BEST ENVIRONMENT TO PRODUCE THE MOST COOL AIR?

A. For optimum performance, the temperature should be 85° F or higher and the relative humidity should be below 75%. However, Portacool products will reduce the temperature in almost any environment, making it more pleasant.

Q. HOW OFTEN DO PADS HAVE TO BE REPLACED?

A. Depending on the quality of maintenance and frequency of use, pads typically last up to five years.

Q. WHAT IS THE DIFFERENCE BETWEEN EVAPORATIVE COOLING AND MISTING SYSTEMS?

A. Misting units spray a shower of water into the air that will collect on people, objects, equipment, floors, etc. Portacool products use the process of evaporation to produce cooler air, but do not discharge a mist.

Q. WHERE CAN I BUY REPLACEMENT PARTS?

A. Replacement parts may be purchased from any Portacool product distributor or directly from Portacool Parts/Technical Support department. You may also visit www.portacoolparts.com to order online.

Q. WHAT IS THE AMOUNT OF MOISTURE PRODUCED?

A. An increase in humidity of approximately two to five percent is produced, depending on the temperature and humidity of the environment. This increase is not noticeable in a ventilated area where the air produced by the unit is exhausted.

Q. HOW LONG WILL THE WATER SUPPLY LAST IN THE TANK?

A. With no direct water source available, the water will evaporate in a filled water tank within two to 10 hours of operation, depending on the water capacity of the product, ambient conditions, temperature, and humidity. A water source for refilling the tank is recommended by the manufacturer.

Q. WHERE ARE THE MODEL AND SERIAL NUMBERS FOUND?

A. The model number can be found on a metal plate on the outside of the product. Model numbers begin with the letters "PAC." Serial numbers are all-digits.

Q. WHAT IF MY QUESTIONS AREN'T ANSWERED HERE?

A. Our Tech Support staff is available 8 a.m. to 5 p.m. Central Time, Monday through Friday at 1-888-COOL-AID or you can e-mail them at support@portacool.com.

PORTACOOOL™

WHEN COMFORT COUNTS™

CUSTOMER SERVICE CONTACT

1-936-598-5651 * 1-800-695-2942

ORDERS@PORTACOOOL.COM

TECHNICAL/PARTS CONTACT

1-936-598-5651 * 1-888-COOLAID

SUPPORT@PORTACOOOL.COM

VISIT PORTACOOOL.COM

OR CALL 1-936-598-5651

FOR MORE INFORMATION

The manual is available in other languages.

To download a digital copy, please visit
www.portacool.com.

El manual está disponible en otros idiomas.

Para descargar una copia digital, por favor
visite www.portacool.com.

Le manuel est disponible en d'autres langues.

Pour télécharger une copie numérique, se il
vous plaît visitez www.portacool.com.

والدليل هو متاح في اللغات الأخرى. لتحميل
نسخة رقمية، يرجى زيارة www.portacool.com

MANR0003

Portacool, LLC • Manufacturer of Portacool™ portable evaporative coolers and KÜÜL® Pads evaporative media
709 Southview Circle • Center, Texas 75935 • 936-598-5651 • www.portacool.com • www.kuulpads.com