

PORTACOOOL®

APEX CONTROL REPLACEMENT MANUAL

WARNING!

Disconnect Portacool from electrical source before servicing.



Models: PACA12001A1, PACA20001A1, PACA40001A1 and PACA65001A1

Before Beginning:

- Move unit to safe work environment.
- Position Portacool with plenty of working room on all sides.
- Disconnect Portacool from electrical and water supplies.

Tools Needed:

- Drill Driver with 1/4- and 5/16- inch sockets.
- Gloves
- Safety Glasses

Steps:

1. First, unscrew the Media Flap Screws using a 5/16" socket and remove the Media Flap. Pull the Distribution Media and all the Main Media out of the unit.

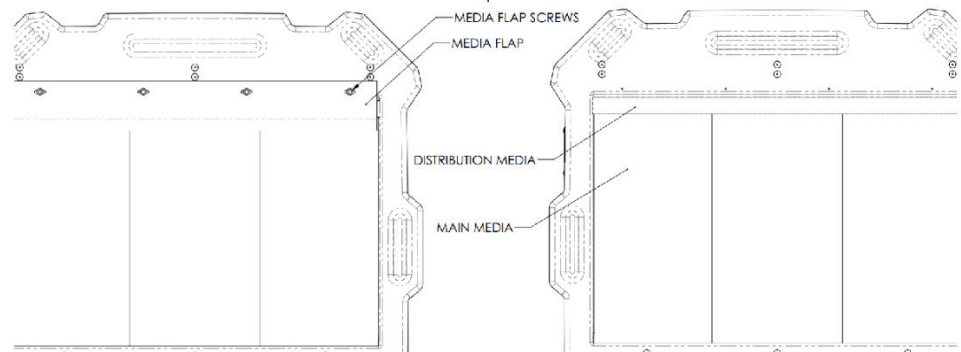


Figure 1: Portacool Apex 1200-6500 Back View (Left), Portacool Apex 1200-6500 Back View without Media Flap (Right)

2. Once the control unit is accessible from inside the unit, note that the wires have been bundled and tied to the controls using a zip tie, routed in a downward and then upward direction, forming a drip loop path (Figure 2). This prohibits moisture ingress inside and unit mitigating risk of component damage. From inside of the unit cut the 1X zip tie. Unplug the Power cable, Motor, Pump and LLI connectors from the bottom of the Control unit (Figure 3).

PORTACOOOL®

APEX CONTROL REPLACEMENT MANUAL

APEX

WARNING!

Disconnect Portacool from electrical source before servicing.

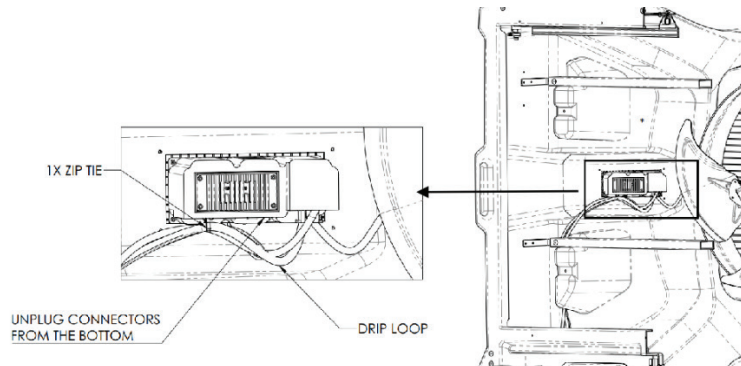


Figure 2: Portacool Apex 1200-6500 Interior View with Control Unit Wiring Details.

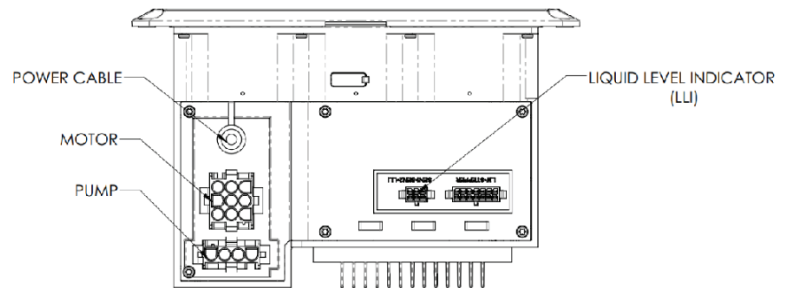


Figure 3: Portacool Control Unit Connectors (Bottom View).

3. Unscrew the 4X Screws securing the Control unit to the outside of the Portacool housing using 1/4" socket and carefully slide the control unit out.

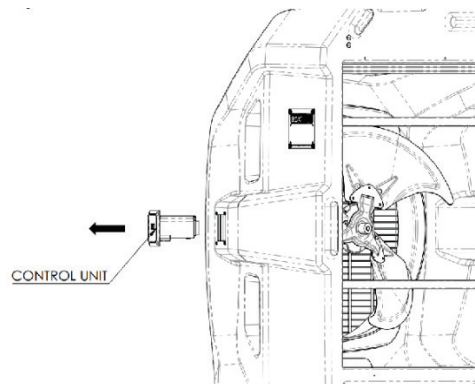


Figure 4: Apex 1200-6500 Model Exterior View.

PORTACOOOL®

APEX CONTROL REPLACEMENT MANUAL

WARNING!

Disconnect Portacool from electrical source before servicing.



APEX

4. Position the replacement Control unit in place and fasten it using the 4X Screws.
5. Attach all the connectors securely to the new Portacool replacement Controls from inside the Portacool unit (Figure 3).
6. Carefully gather the wires into a bundle and fasten them to the controls using a zip tie, ensuring to replicate the drip loop path as shown in Figure 2. Take caution to eliminate any possibility of loose wires obstructing the Fan's path.
7. Reassemble the Main Media, Distribution Media, and Media Flap.
8. Connect the Portacool unit to a power source and verify its functionality to ensure proper operation.